

## Contact insert - HC-DD42-I-CT-F - 1584062

Please be informed that the data shown in this PDF Document is generated from our Online Catalog. Please find the complete data in the user's documentation. Our General Terms of Use for Downloads are valid (<http://phoenixcontact.com/download>)



HEAVYCON female insert, DD42 series, 42-pos., crimp connection

### Your advantages

- ✔ Can be used in rail vehicles, satisfy DIN EN 45545-2 with requirement sets R22, R23, and R24 in hazard levels HL1, HL2, and HL3.

COMPLETE RoHS

### Key Commercial Data

|                                      |   |
|--------------------------------------|---|
| Packing unit                         | 1 pc  |
| GTIN                                 | <br>4 046356 133371 |
| GTIN                                 | 4046356133371   |
| Weight per Piece (excluding packing) | 50.000 g  |
| Custom tariff number                 | 85389099  |
| Country of origin                    | China   |

### Technical data

#### General

|                             |  |
|-----------------------------|--|
| Note                        | For HEAVYCON ADVANCE and HEAVYCON housing of B10 type, crimp contacts CK 1,6-ED (crimp contacts not included in the scope of supply). Plug-in connections may only be operated only when there is no load/voltage. |
| Connection method           | Crimp connection   |
| Degree of pollution         | 3  |
| Overvoltage category        | III  |
| Number of positions         | 42+PE  |
| Insertion/withdrawal cycles | ≥ 500  |
| Size                        | B10  |

# Contact insert - HC-DD42-I-CT-F - 1584062

## Technical data

### General

|   |   |
|---|---|
| Contact numbering                       | 1 - 42  |
| Conductor cross section                 | 0.14 mm <sup>2</sup> ... 2.5 mm <sup>2</sup>  |
| Connection cross section AWG            | 26 ... 14   |
| Stripping length of the individual wire | 8 mm (0.14 ... 1.5 mm <sup>2</sup> )  |
|   | 6 mm (2.5 mm <sup>2</sup> )   |
| Minimum housing height                  | 72 mm   |
| Assembly instructions                   | To ensure correct use, installation in housing with IP54 protection or better is required |
| Connection                              | Connectors may be plugged in only when there is no load/voltage.                          |

### Ambient conditions

|                                 |  |
|---------------------------------|--|
| Ambient temperature (operation) | -40 °C ... 125 °C (including heating up of contacts) |
|---------------------------------|--|

### Material data

|                          |   |
|--------------------------|---|
| Contact material         | Copper alloy  |
| Contact surface material | Ag (alternatively Au)   |
| Contact carrier material | PC  |
| Standards/regulations    | PC: Fire protection in rail vehicles - requirement sets R22, R23, and R24 acc. to DIN EN 45545-2 (Risk level HL1 - HL3) |

### Electrical characteristics

|                       |       |
|-----------------------|-------|
| Rated voltage (III/3) | 250 V |
| Rated surge voltage   | 4 kV  |
| Rated current         | 10 A  |

### Standards and Regulations

|  |                            |
|--|----------------------------|
| Connection in acc. with standard       | CSA                        |
| Constructional and testing regulations | DIN VDE 0627/86            |
|  | DIN VDE 0110/02.79         |
|  | DIN VDE 0110-1/04.97       |
|  | IEC 60664-1, DIN IEC 60512 |
|  | IEC 60352                  |
| Flammability rating according to UL 94 | V0                         |

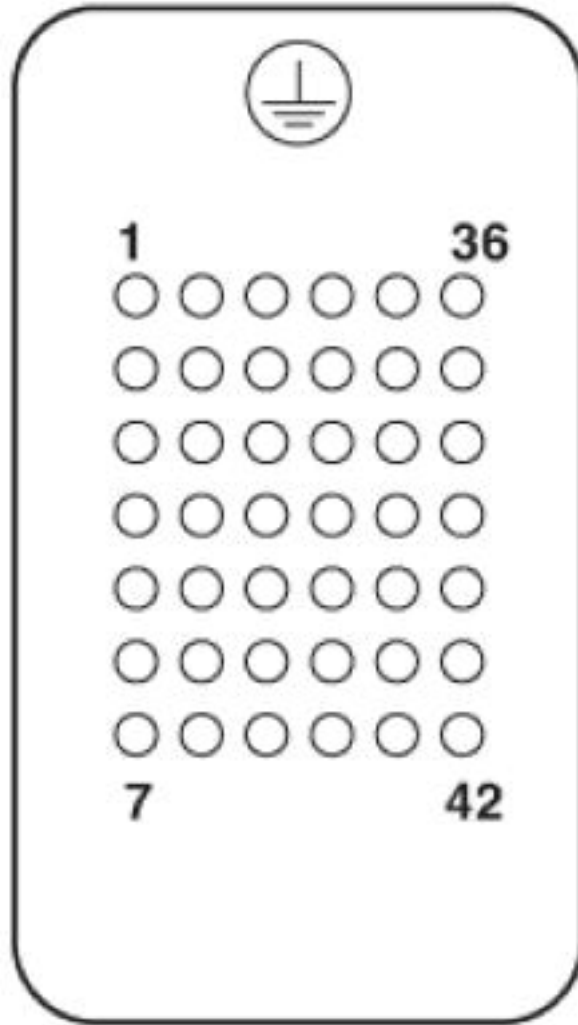
### Environmental Product Compliance

|            |   |
|------------|---|
| China RoHS | Environmentally friendly use period: unlimited = EFUP-e |
|            | No hazardous substances above threshold values          |

## Drawings

# Contact insert - HC-DD42-I-CT-F - 1584062

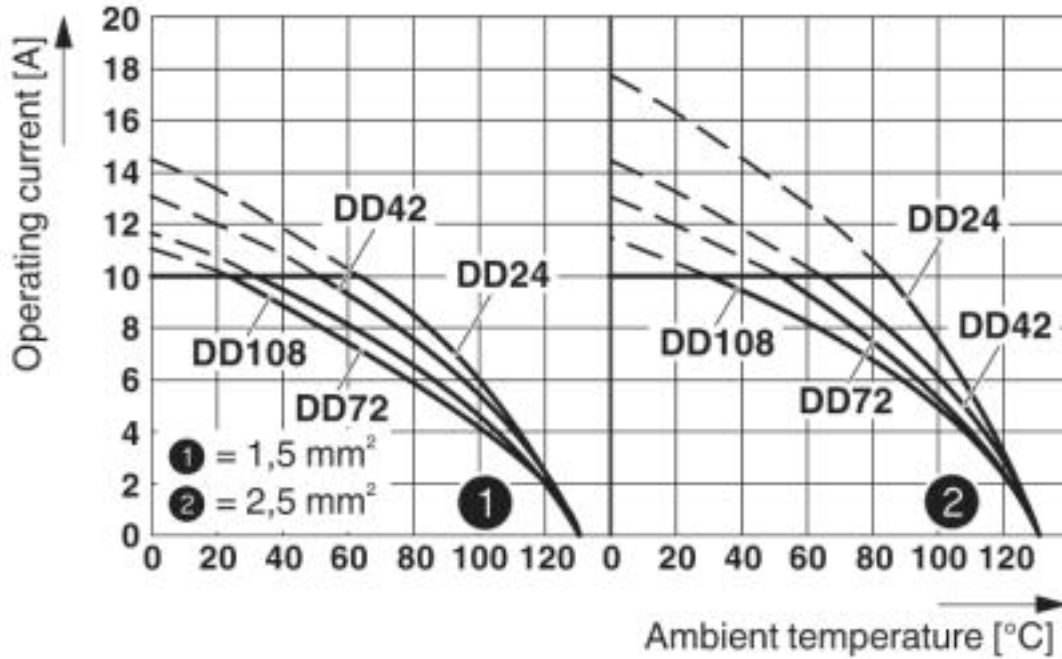
Schematic diagram



Connector pin assignment, connection side

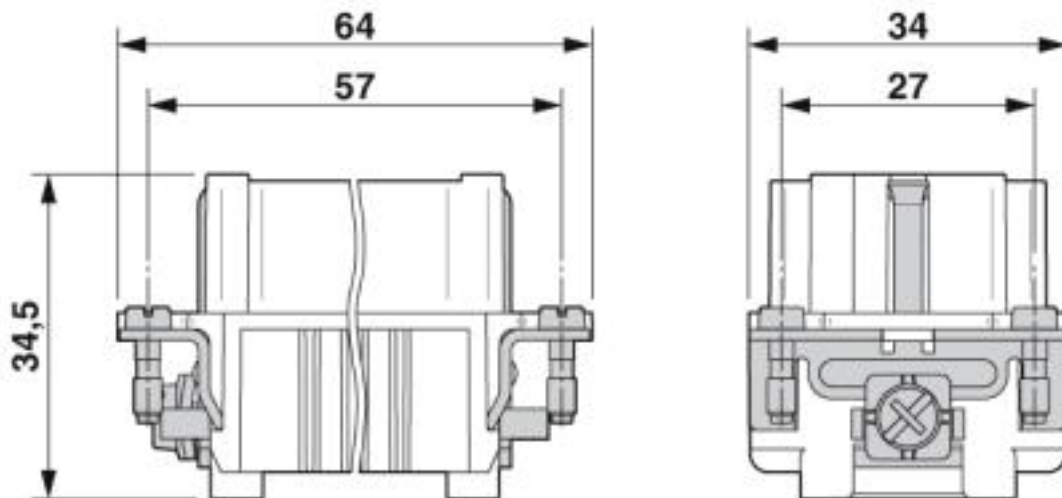
# Contact insert - HC-DD42-I-CT-F - 1584062

Diagram



Derating diagram

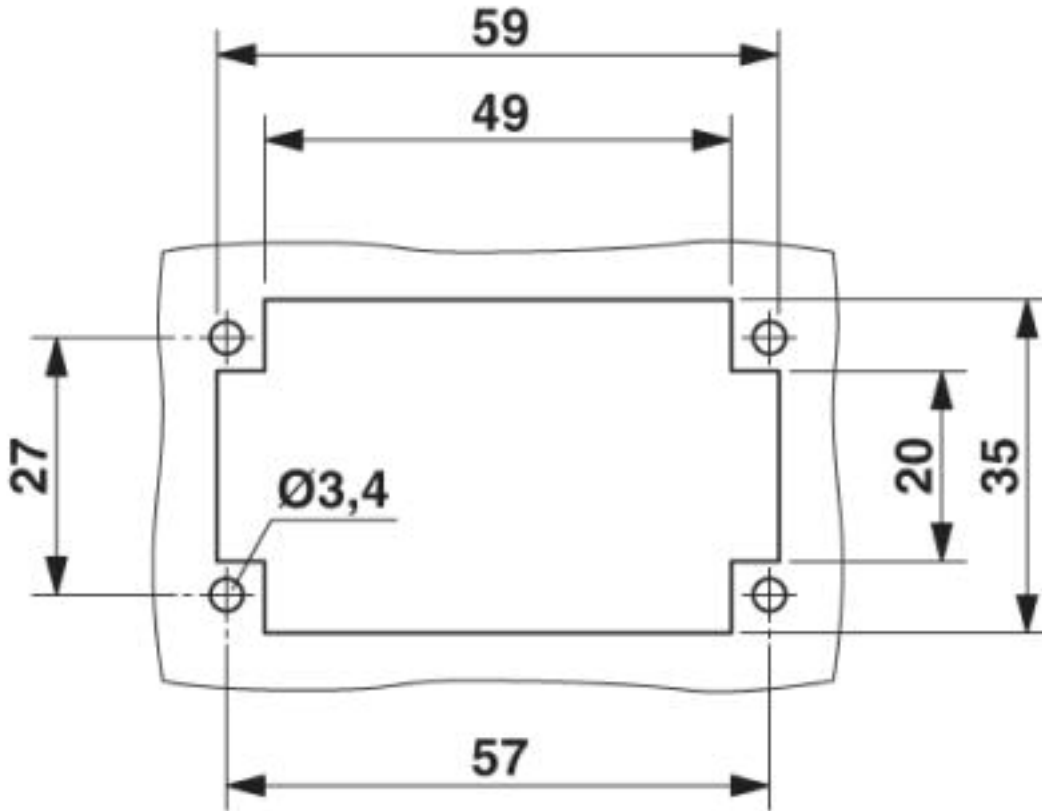
Dimensional drawing



Female insert

# Contact insert - HC-DD42-I-CT-F - 1584062

Dimensional drawing



Mounting cutout when used without housing

## Classifications

eCl@ss

|            |          |
|------------|----------|
| eCl@ss 4.0 | 27140800 |
| eCl@ss 4.1 | 27140800 |
| eCl@ss 5.0 | 27143400 |
| eCl@ss 5.1 | 27261200 |
| eCl@ss 6.0 | 27261200 |
| eCl@ss 7.0 | 27440205 |
| eCl@ss 8.0 | 27440205 |
| eCl@ss 9.0 | 27440205 |

ETIM

|          |          |
|----------|----------|
| ETIM 3.0 | EC000438 |
| ETIM 4.0 | EC000437 |

# Contact insert - HC-DD42-I-CT-F - 1584062

## Classifications

### ETIM

|          |          |
|----------|----------|
| ETIM 5.0 | EC000438 |
| ETIM 6.0 | EC000438 |
| ETIM 7.0 | EC000438 |

### UNSPSC

|               |          |
|---------------|----------|
| UNSPSC 6.01   | 30211923 |
| UNSPSC 7.0901 | 39121522 |
| UNSPSC 11     | 39121522 |
| UNSPSC 12.01  | 39121522 |
| UNSPSC 13.2   | 39121522 |

## Approvals


### Approvals


#### Approvals

CSA / UL Recognized / cUL Recognized / EAC / DNV GL / cULus Recognized

#### Ex Approvals

### Approval details

|                            |   |   |                |
|----------------------------|---|---|----------------|
| CSA                        |  | <a href="http://www.csagroup.org/services-industries/product-listing/">http://www.csagroup.org/services-industries/product-listing/</a> | 013631_6233_01 |
| Nominal voltage UN         | 250 V   |   |                |
| Nominal current IN         | 7 A   |   |                |
| mm <sup>2</sup> /AWG/kcmil | 26-14   |   |                |

|                            |   |   |               |
|----------------------------|---|---|---------------|
| UL Recognized              |  | <a href="http://database.ul.com/cgi-bin/XYV/template/LISEXT/1FRAME/index.htm">http://database.ul.com/cgi-bin/XYV/template/LISEXT/1FRAME/index.htm</a> | FILE E 118976 |
| Nominal voltage UN         | 250 V   |   |               |
| Nominal current IN         | 10 A  |   |               |
| mm <sup>2</sup> /AWG/kcmil | 14  |   |               |

# Contact insert - HC-DD42-I-CT-F - 1584062

## Approvals

|                            |  |   |               |
|----------------------------|--|---|---------------|
| cUL Recognized             |  | <a href="http://database.ul.com/cgi-bin/XYV/template/LISEXT/1FRAME/index.htm">http://database.ul.com/cgi-bin/XYV/template/LISEXT/1FRAME/index.htm</a> | FILE E 118976 |
| Nominal voltage UN         |  | 250 V   |               |
| Nominal current IN         |  | 7 A   |               |
| mm <sup>2</sup> /AWG/kcmil |  | 14  |               |

|     |  |                          |
|-----|--|--------------------------|
| EAC |  | RU C-<br>DE.AI30.B.01102 |
|-----|--|--------------------------|

|        |  |   |            |
|--------|--|---|------------|
| DNV GL |  | <a href="https://approvalfinder.dnvgl.com/">https://approvalfinder.dnvgl.com/</a> | TAE000037S |
|--------|--|---|------------|

|                  |  |
|------------------|--|
| cULus Recognized |  |
|------------------|--|

## Accessories

### Accessories

#### Adapter plate

Adapter plate - HC-B 24-ADP-B 10-GY - 1660436



HEAVYCON adapter plate, type B24 on B10, for panel cutouts of type B24, gray

#### Assembly tool

Assembly tool - UNIFOX MT-CK 1.6/2.5 - 1089092



Assembly tool, for CK 1.6... crimp contacts for small conductor cross sections

## Contact insert - HC-DD42-I-CT-F - 1584062

### Accessories

---

#### Coding element

Coding element - HC-CBU - 1676860



Coding socket for coding up to 16 connectors

---

Coding bolt - HC-CB - 1772722



Coding pin, prevents mismating of up to six connectors with an identical number of positions

---

Coding element - HC-CST - 1676857



Coding peg for coding up to 16 connectors

---

#### Crimp contact

Crimp contact - CK1,6-ED-0,37BU AG - 1663394



Turned 1.6 crimp contact, individual female contact, core diameter 0.14 to 0.37 mm<sup>2</sup>, silver-plated

---

## Contact insert - HC-DD42-I-CT-F - 1584062

### Accessories

Crimp contact - CK1,6-ED-0,50BU AG - 1663404



Turned 1.6 crimp contact, individual female contact, core diameter 0.5 mm<sup>2</sup>, silver-plated

---

Crimp contact - CK1,6-ED-0,75BU AG - 1663417



Turned 1.6 crimp contact, individual female contact, core diameter 0.75 mm<sup>2</sup>, silver-plated

---

Crimp contact - CK1,6-ED-1,00BU AG - 1663420



Turned 1.6 crimp contact, individual female contact, core diameter 0.75 to 1.00 mm<sup>2</sup>, silver-plated

---

Crimp contact - CK1,6-ED-1,50BU AG - 1663433



Turned 1.6 crimp contact, individual female contact, core diameter 1.5 mm<sup>2</sup>, silver-plated

---

Crimp contact - CK1,6-ED-2,50BU AG - 1663446



Turned 1.6 crimp contact, individual female contact, core diameter 2.5 mm<sup>2</sup>, silver-plated

---

## Contact insert - HC-DD42-I-CT-F - 1584062

### Accessories

Crimp contact - CK1,6-ED-0,37BU AU - 1674969



Turned 1.6 crimp contact, individual female contact, core diameter 0.14 to 0.37 mm<sup>2</sup>, gold-plated

---

Crimp contact - CK1,6-ED-0,50BU AU - 1674480



Turned 1.6 crimp contact, individual female contact, core diameter 0.5 mm<sup>2</sup>, gold-plated

---

Crimp contact - CK1,6-ED-0,75BU AU - 1672440



Turned 1.6 crimp contact, individual female contact, core diameter 0.75 mm<sup>2</sup>, gold-plated

---

Crimp contact - CK1,6-ED-1,00BU AU - 1674943



Turned 1.6 crimp contact, individual female contact, core diameter 0.75 to 1.00 mm<sup>2</sup>, gold-plated

---

Crimp contact - CK1,6-ED-1,50BU AU - 1674930



Turned 1.6 crimp contact, individual female contact, core diameter 1.5 mm<sup>2</sup>, gold-plated

---

## Contact insert - HC-DD42-I-CT-F - 1584062

### Accessories

Crimp contact - CK1,6-ED-2,50BU AU - 1674985



Turned 1.6 crimp contact, individual female contact, core diameter 2.5 mm<sup>2</sup>, gold-plated

---

### Crimping tool

Crimping pliers - CRIMPFOX-TC 4 - 1212113



Crimping pliers, for CK 1,6-ED..., CK 2,5-ED..., CK 4,0-ED... turned contacts, 4 marked die stations, unlockable pressure lock, lateral entry, incl. positioning tool

---

### DIN rail mounting frame

DIN rail mounting frame - HC-SMR-B10 - 1687969



HEAVYCON DIN rail mounting frame, for contact inserts of type B10

---

### Docking frame

Docking frames - HC-B 10-ANDOCK - 1586125



Docking frame for racks, for contact inserts of B10 type, with four M5 flat headed screws, rack balance x/y axis +/- 1.5 mm

---

### Fiber optics contact

## Contact insert - HC-DD42-I-CT-F - 1584062

### Accessories

Female contact - CK1,6-ED-BU-POF - 1885004



POF fiber optic socket contact, turned, for contact carriers (HC-DD...I-CT.../ HC-M-12-CT-F.../ HC-M-17-CT-F...) of CK1,6-ED... contacts

---

### Mounting material

Screw - HC-B-PES - 1604997



PE screw, for contact inserts HC-B / HC-BB / HC-DD / HC-D40 / HC-D64

PE multiplier - HC-B-3PE - 1644326



PE multiplier, for three PE connections, for HC-B (besides HC-B..E..ZZ) / HC-BB / HC-DD / HC-D40 / HC-D64 contact inserts

Strain relief clamp - HC-B-ZG - 1685327



Strain relief clamps contact inserts of series: B-, BB-, D 40, D 64, DD and HV, straight cable exit

Strain relief clamp - HC-B-ZS - 1685330



Strain relief clamps contact inserts of series: B-, BB-, D 40, D 64, DD and HV, lateral cable exit

## Contact insert - HC-DD42-I-CT-F - 1584062

### Accessories

#### Universal tools

Contact removal tool - UNIFOX RT-CK 1.6 - 1072069



Contact removal tool, for turned and rolled CK- 1.6-... contacts